

# GATE VALVE- METAL SEAT K173

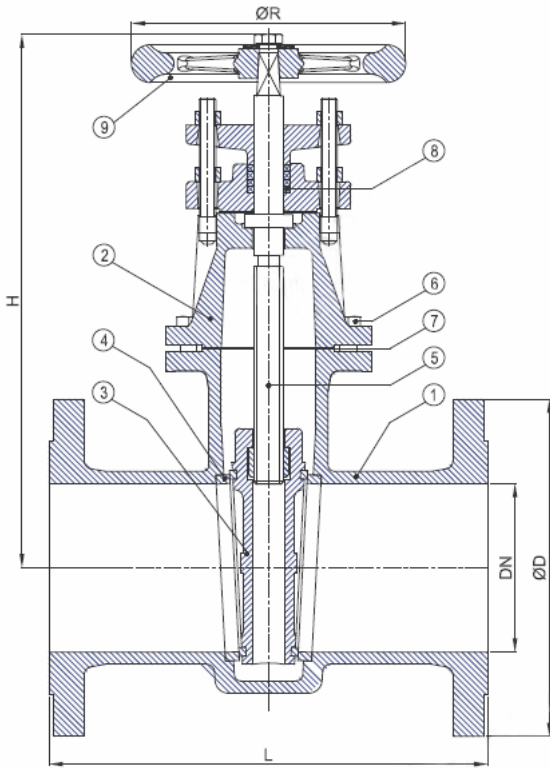
**KÖNIGSBRÜCK**

Ductile iron metal seat gate valves, designed and manufactured in accordance with AS 2638.1. Fusion Bonded Epoxy Coating to AS 4158 internally and externally. Clockwise or anti-clockwise closing directions, keycap or handwheel operation

Application: Drinking water, sewage, irrigation, and water supply

Features and Benefits:

- Integral stem nut secures wedge spindle fixing
- Micro finishing of stem



## TECHNICAL SPECIFICATION

Size	DN100 – DN750
Pressure Rating	PN35
Built in accordance to	AS 2638.1
Face to Face	AS 2638.1
Flange Drilling	ANSI / EN 1092-2 / AS 4087 / AS 2129
Temperature Max	120°C
Pressure Testing	AS 2638.1

## MATERIAL SPECIFICATION

Part No.	Component	Material
1	Body	GGG40.3
2	Bonnet	GGG40.3
3	Wedge	GGG40.3
4	Seats	AISI304
5	Stem	AISI420
6	Bolts, nuts	Steel
7	Bonnet gasket	Asbestos-free
8	Gland packing	PTFE
9	Handwheel	GG25

## DIMENSIONS

DN (mm)	ØD (mm)	L (mm)	H (mm)	ØR (mm)	Weight (Kg)
100	230	305	315	315	32
150	305	330	435	315	62
200	370	380	580	400	110
250	430	420	715	500	170
300	490	430	770	500	240
400	610	610	950	630	450
450	675	660	1066	630	590
500	735	710	1210	800	790
600	850	785	1340	800	1070
700	935	900	1560	800	1350
750	1015	950	1560	800	1500

konigsbruck.de

**GESCHAFFEN UM ZU HALTEN**

DISTRIBUTED BY:

