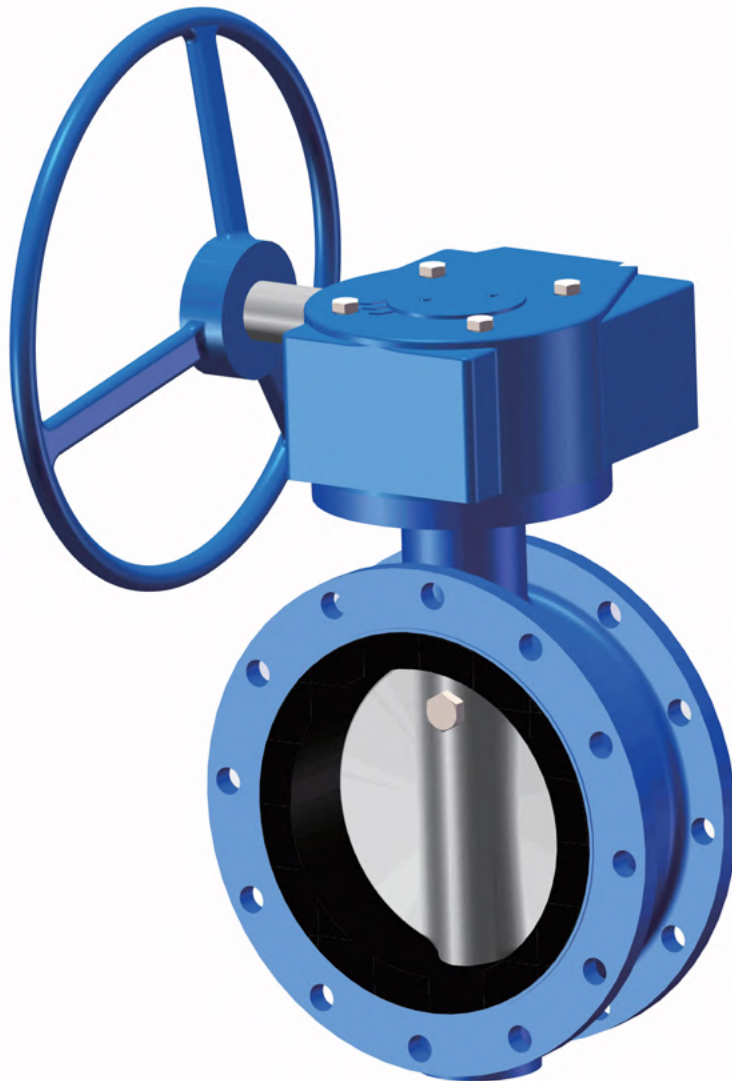


Beaver Concentric Double-Flanged Butterfly Valve

A ductile iron butterfly valve that offers concentric sealing for bidirectional service.

F41





Beaver F41 Butterfly Valve

Beaver F41 Concentric Double-Flanged Butterfly Valve

The Beaver F41 Butterfly Valve has a concentric design, with the stem centred in the disc and a disc centred in the bore. The disc minimises resistance to the fluid which, coupled with the valve's symmetric shape, provides high flow values with low pressure drop.

This valve allows bidirectional sealing with a resilient seat that is bonded to the body. This ensures complete shut-off with no leakage at the full pressure rating.

KEY FEATURES

- Precision-machined disc ensures bubble-tight shut-off in either direction.
- High-strength one-piece through stem design resists corrosion and works at a rated pressure of 10 or 16 bar.
- Secondary stem seal prevents ingress of fluid and external media into the stem area.
- ISO 5211 actuator mounting flange accommodates all types of operators such as lever with a notch plate, manual gear operator, and pneumatic, electric, and hydraulic actuators.

Need technical advice? Our friendly specialists are here to help.

F41

Concentric Double-Flanged Butterfly Valve

Tables 1-2. F41 Specifications

Technical Specifications	
Size range	DN50–600 (2–24")
Pressure class	10–16 bar (145–232 psi) Higher pressures available on request
End connections	Flanged to suit ASME Class 125/150 and AS2129 Table D and E Other options available on request
Actuator options	Lever with notch plate Gear operated Pneumatic Electric Hydraulic

Technical Specifications	
Body	Ductile iron
Body seat	Rubber
Shaft	Stainless steel
Disc	316 stainless steel CF8M
Bushing	Plastic
Shaft sealing	O-ring
Bottom plate	Ductile iron

Diagram. F41 Parts

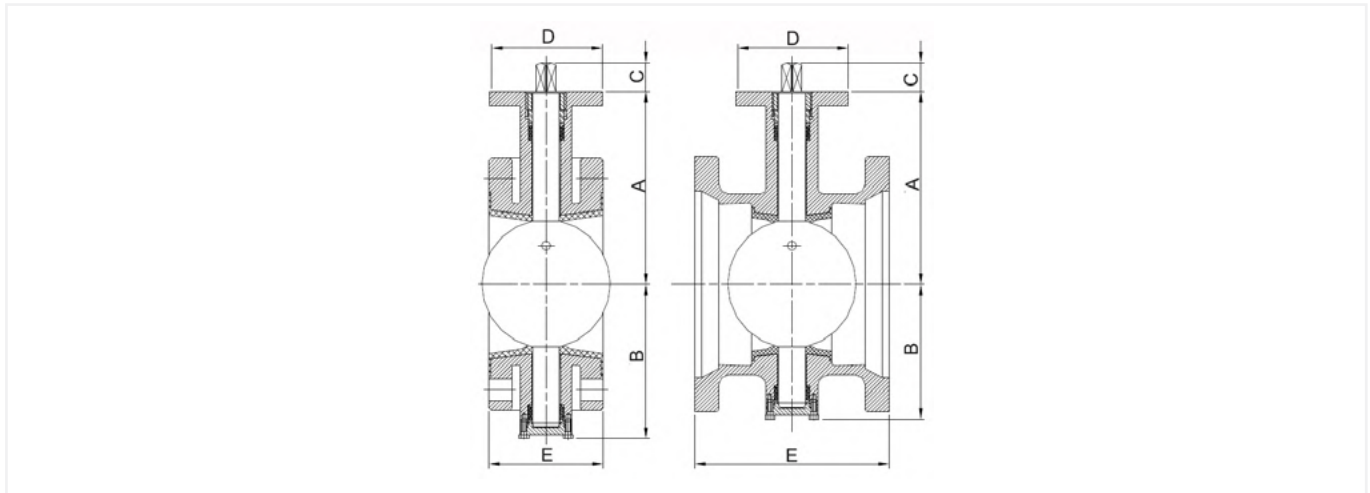


Table 3. F41 Dimensions

Product Dimensions (mm)											
Size	80	100	150	200	250	300	350	400	450	500	600
A	160	180	215	245	280	320	355	405	440	470	572
B	95	140	180	205	240	280	310	320	330	370	425
E (FLxFL)	127		152			203					
E (MJxMJ)	216		219			235					
Mounting flange	F07		F10			F12		F16			
Torque at 10 bar (N.m)	46	52	122	225	370	560	975	1495	1859	2444	3575
Torque at 16 bar (N.m)	65	65	133	250	420	637	1144	1722	2295	2925	4134



We're here to help

We know it's important for you to talk to someone who knows their stuff. So if you have technical questions or need help choosing the right products, talk to our team. We'll walk you through our proven problem solving process.

1. Tell us what you need.

Tell us about your project. What do you want to achieve? What problems do you need to overcome? Let's work back from there.

2. Choose the right solution.

Weigh up the options. We'll do the analysis, discuss the options with you, and make a recommendation—the choice we'd make in your shoes.

3. Get the job done.

Complete your project, with the right products, on time and to spec. We've got your back all the way, with support during installation and commissioning.

Tap into our expertise and talk to our friendly, expert team.

B | E | A | V | E | R

To request a quote or explore our product range, visit beaverprocess.com.au

Phone: 1300 295 799 | Email: sales@beaverprocess.com.au