

# Beaver Small-Bore Threaded Y-Strainer

A strainer used in industrial applications to mechanically remove unwanted solid particles from flowing media in small pipelines.

S01



## Beaver S01 Small-Bore Threaded Y-Strainer



Beaver S01 Y-Strainer

The Beaver S01 Y-Strainer is a threaded strainer rated to 14bar designed for small bores from 15–50mm, with a corrosion-resistant stainless steel body.

It has a stainless steel filter that retains foreign particles and removes them from the flowing liquid, steam, or gas. The mesh filter has a standard aperture size of 1mm, with other sizes available on request.

### KEY FEATURES

- Protects expensive or vulnerable downstream equipment from damage and contamination caused by sediments or debris.
- Well-fitted and aligned filter efficiently filters particles.
- Can be used in a horizontal or vertical position with the filter oriented downwards.
- Threaded drain port with bolted cover gives easy access to the mesh screen for cleaning.

Need technical advice? Our friendly specialists are here to help.

# S01

## Small-Bore Threaded Y-Strainer

Tables 1-2. S01 Specifications

Technical Specifications		Material Specifications	
<b>Brand</b>	Beaver	<b>1</b>	<b>Cap</b> CF8M
<b>Model</b>	S01	<b>2</b>	<b>Gasket</b> PTFE
<b>Size</b>	DN15-50 (½ -2")	<b>3</b>	<b>Screen</b> 316 stainless steel
<b>Pressure rating</b>	14 bar	<b>4</b>	<b>Body</b> CF8M
<b>End connections</b>	Screwed to AS 1722 Part 1, BSP, FxF		

Diagram. Title Here

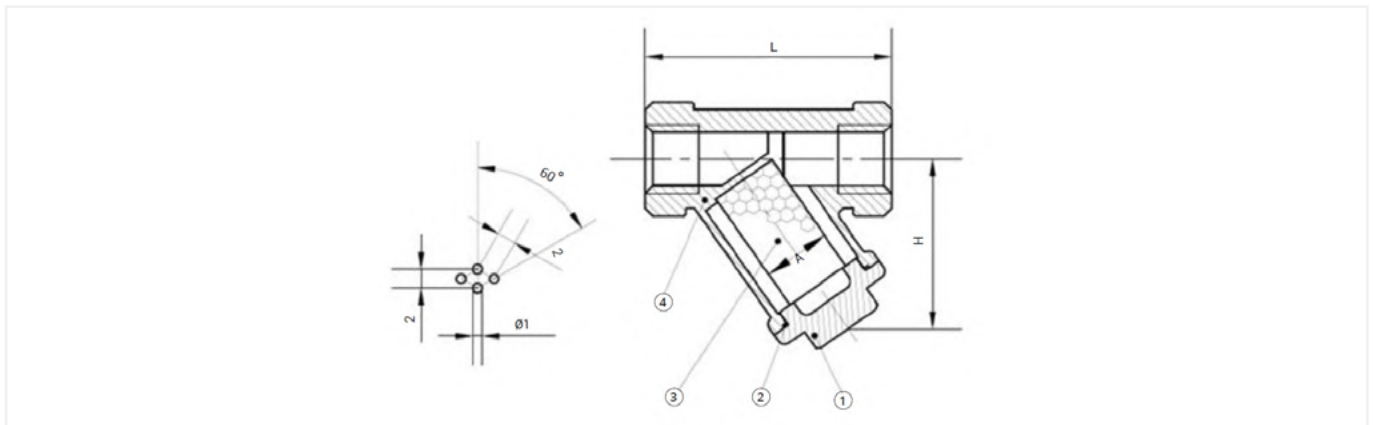


Table 3. S01 Dimensions

Product Dimensions (mm)					
DN	L	H	D	A	Weight (kg)
15	65	37	16	12	0.21
20	80	47	20	23	0.38
25	90	50	25	31	0.67
32	106	56	32	25	0.7
40	120	62	38	43	1.1
50	140	70	51	52	1.8
40	38	26.5	17	90.5	165
50	50	26.5	17	98.5	165
65	65	41.5	29.5	130.5	215
80	80	41.5	29.5	142.5	215
100	100	47.5	36.5	173.5	325



# We're here to help

We know it's important for you to talk to someone who knows their stuff. So if you have technical questions or need help choosing the right products, talk to our team. We'll walk you through our proven problem solving process.

## 1. Tell us what you need.

Tell us about your project. What do you want to achieve? What problems do you need to overcome? Let's work back from there.

## 2. Choose the right solution.

Weigh up the options. We'll do the analysis, discuss the options with you, and make a recommendation—the choice we'd make in your shoes.

## 3. Get the job done.

Complete your project, with the right products, on time and to spec. We've got your back all the way, with support during installation and commissioning.

Tap into our expertise and talk to our friendly, expert team.

# B | E | A | V | E | R

To request a quote or explore our product range, visit [beaverprocess.com.au](https://beaverprocess.com.au)

Phone: 1300 295 799 | Email: [sales@beaverprocess.com.au](mailto:sales@beaverprocess.com.au)