



## Installation-Ready™ Flexible Coupling for Shouldered Steel Pipe

### STYLE SC77

[Download publication 16.10](#) for complete information

- Sizes from 2–8" | DN50–DN200 (pipe O.D.)
- Pressures up to 580 psi | 4000 kPa | 40 bar
- Supplied standard with galvanized coating
- Regional availability, contact [Victaulic](#) for details

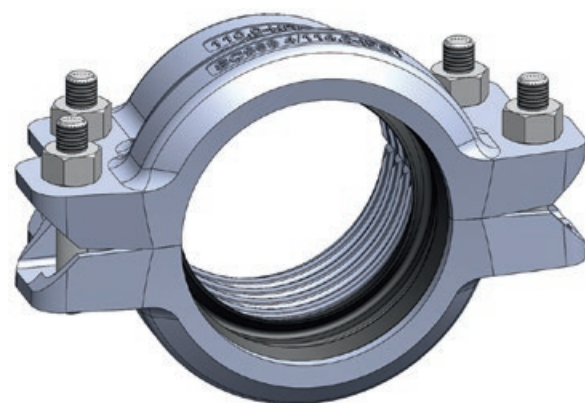


## Flexible Coupling for Shouldered Steel Pipe

### STYLE SC85

[Download publication 16.21](#) for complete information

- Sizes from 2–12" | DN50–DN300 (pipe O.D.)
- Pressures up to 610 psi | 4200 kPa | 42 bar
- Supplied standard with galvanized coating
- Regional availability, contact [Victaulic](#) for details



## Transition Coupling for HDPE to Shouldered Steel

### STYLE SC998

[Download publication 19.08](#) for complete information

- Sizes available to join 63–110 mm HDPE pipe to 2–4" | DN50–DN100 shouldered pipe (pipe O.D.)
- Pressure rating conforms to the maximum pressure rating of the pipe
- Regional availability, contact [Victaulic](#) for details