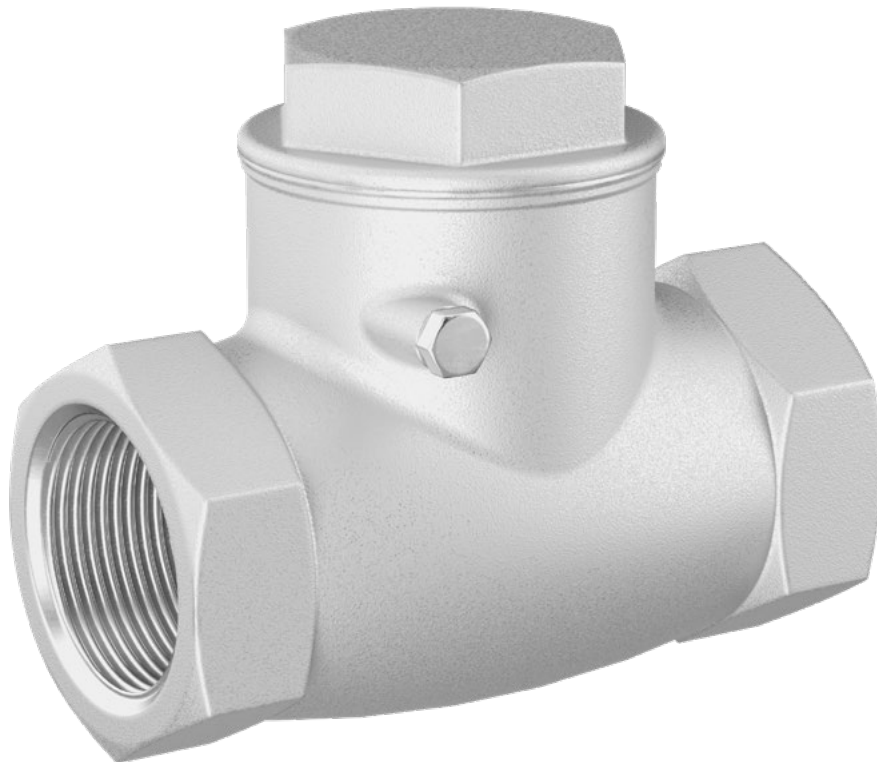


CHECK VALVES

# Beaver Small Bore Swing Check Valve 14 bar

A non-return valve used to prevent backflow in small pipelines.

C01



**B | E | A | V | E | R**

[beaverprocess.com.au](http://beaverprocess.com.au)

# Beaver C01 Small Bore Swing Check Valve 14 bar



Beaver C01 Swing Check Valve

The Beaver Small Bore Swing Check Valve allows the pressure of fluid flow to swing the hinged disc open in the upstream direction. The disc closes once flow stops and remains shut against flow from the opposite direction, preventing any backflow.

The disc is the same size as the pipe bore to ensure continuous fluid flow while reducing turbulence and minimising pressure drop. The stainless steel body provides resistance to pressure, temperature, and corrosion in many water, oil, and gas applications.

Use this swing check valve to protect important equipment, such as control valves or strainers, from reverse flow damage. Integrate it in horizontal pipe layouts or vertical pipelines where the fluid travels from the bottom.

## KEY FEATURES

- One-way, normally closed valve that doesn't require external control.
- Disc design and weight provide tight closure and sealing.
- Investment casting results in a precisely moulded body with a smooth finish.
- Metal seat improves wear and temperature resistance.
- Low cracking pressure enables the disc to open at low velocities.

Need technical advice? Our friendly specialists are here to help.

# C01

## Small Bore Swing Check Valve 14 bar

Tables 1-2. C01 Specifications

Technical Specifications	
Brand	Beaver
Model	C01
Size range	DN8-80 (¼-3")
Pressure class	14 bar (200 psi)
End connections	Threaded BSP FxF Threaded NPT FxF

Material Specifications	
Body	CF8M
Cover	CF8M
Disc	CF8M
Hanger pin	SUS 316
Gasket	Teflon
Plug	SUS 316
Plug gasket	Teflon

Diagram. C01 Parts

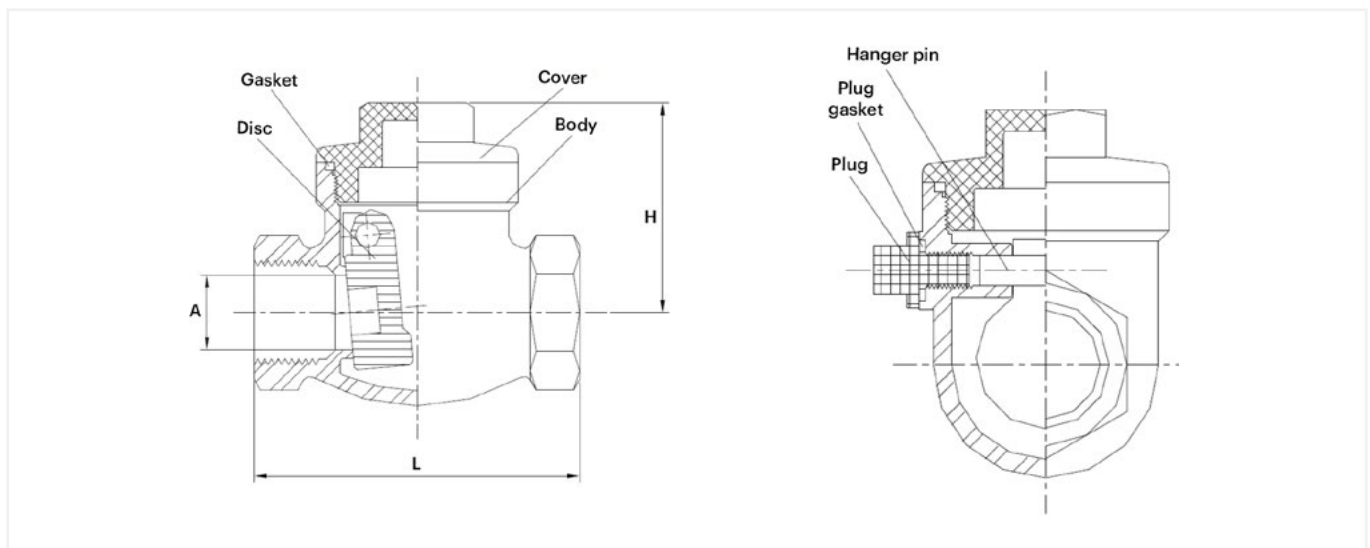


Table 3. C01 Dimensions

Product Dimensions				
Size (DN)	A (mm)	H (mm)	L (mm)	Weight (kg)
8	11	42	65	0.3
10	15	42	65	0.3
15	15	42	65	0.3
20	20	51	80	0.42
25	25	60	90	0.66
32	32	67	105	1.02
40	40	75	120	1.44
50	50	81	140	2.14
60	65	93	180	4.0
80	80	104	200	5.9



# We're here to help

We know it's important for you to talk to someone who knows their stuff. So if you have technical questions or need help choosing the right products, talk to our team. We'll walk you through our proven problem solving process.

## 1. Tell us what you need.

Tell us about your project. What do you want to achieve? What problems do you need to overcome? Let's work back from there.

## 2. Choose the right solution.

Weigh up the options. We'll do the analysis, discuss the options with you, and make a recommendation—the choice we'd make in your shoes.

## 3. Get the job done.

Complete your project, with the right products, on time and to spec. We've got your back all the way, with support during installation and commissioning.

Tap into our expertise and talk to our friendly, expert team.

# B | E | A | V | E | R

To request a quote or explore our product range, visit [beaverprocess.com.au](https://beaverprocess.com.au)

Phone: 1300 295 799 | Email: [sales@beaverprocess.com.au](mailto:sales@beaverprocess.com.au)